



**RIPACK®**

**SERIES 3000**

## **USER'S GUIDE**

### **RIPACK 3000-70**



[www.ripack.com](http://www.ripack.com)

# RIPACK® ACCESSORIES

## Modular Extensions

Quick and easy assembly of one or more extension wands on the RIPACK SERIES 3000 heat gun.

All components are integrated and protected from the environment, use extension wands to work quickly and easily.



## Pivoting Arm Rest

The pivoting arm rest provides increased comfort during use with an extension and folds away after use.



## Gas Cylinder Cart

Ideal to hold and carry the gas cylinder safely, this accessory offers portability in conformity with industrial insurance requirements.

The gas cylinder cart increases the operator's productivity thanks to a greater ease in working.

### Sturdy construction

- Epoxy painted metal tube
- quick release nylon restraining strap (chains on ref. 932).
- the guiding mast **protects** the hose from wear due to friction
- **stability** ensured by big wheels (+ one leading wheel and brake on ref. 932).
- Supplied flat packed, **easy** to assemble.



936 Model



932 Model

## Gas Hose Reel Winder

Heavy duty construction for industrial application: corrosion resistant powder coated steel, four-direction non-sag rollers reducing hose wear abrasion.

Possible mounting on wall, ceiling or floor.

Provided with swivelling support for a greater ease of work.

Adjustable guiding arm for horizontal or vertical hose release

Fully equipped with: ■ specific **high pressure gas hose** (propane or natural gas) ■ crimped **connections** 3/8" left ■ **adjustable** hose **stop** ■ multi-position release **ratchet** ■ user's and maintenance **guide** ■ drilling **template**



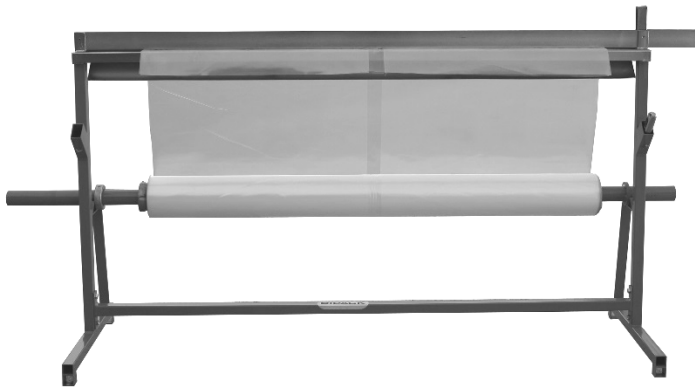
## MULTICOVER Film Sealers

The MULTICOVER sealers allow to make pallet covers and bags from rolls of shrink-film when required and in any size.

Make savings by avoiding useless stock of various heights and sizes.



MULTICOVER 960:  
electrical impulse sealing



MULTICOVER 940:  
RIPACK<sup>®</sup> Heat Gun Sealing



MULTICOVER 950:  
RIPACK<sup>®</sup> Heat Gun Sealing

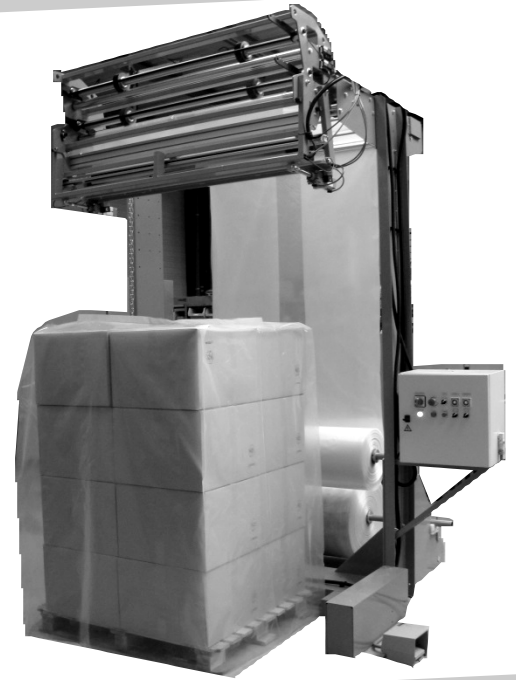
# RIPACK<sup>®</sup> MACHINES

## RIPACOVER Bagging Station

**User-friendly:** one operator can easily cover a pallet without any additional help.

**Easy and quick process:**

- The operator makes the film come down by pushbutton, he covers the top of the pallet and hangs the counterweights.
- Then, the film is descended to the necessary length by action on the pedal.
- Lastly, the cut and the sealing are automatically controlled by pushbutton.
- The pallet is covered in **hardly one minute!**



## TURBOPACK<sup>®</sup> Shrink Column

**Independent and mobile:** the TURBOPACK<sup>®</sup> is moved to the pallets, thus avoiding the handling of unsteady loads.

**Flexible:** no limitation in length or width of the load. Heating height adjustable from 1.20 m / 47" up 2.40 m / 95" (2.20 m / 86" with optional visor).

Delivered complete with the **pressure relief valve** and **hoses** for connection to the gas cylinders. The adjustable **visor** on option allows better shrink of the top and sticking of the gussets.



## RIPACK<sup>®</sup> Others

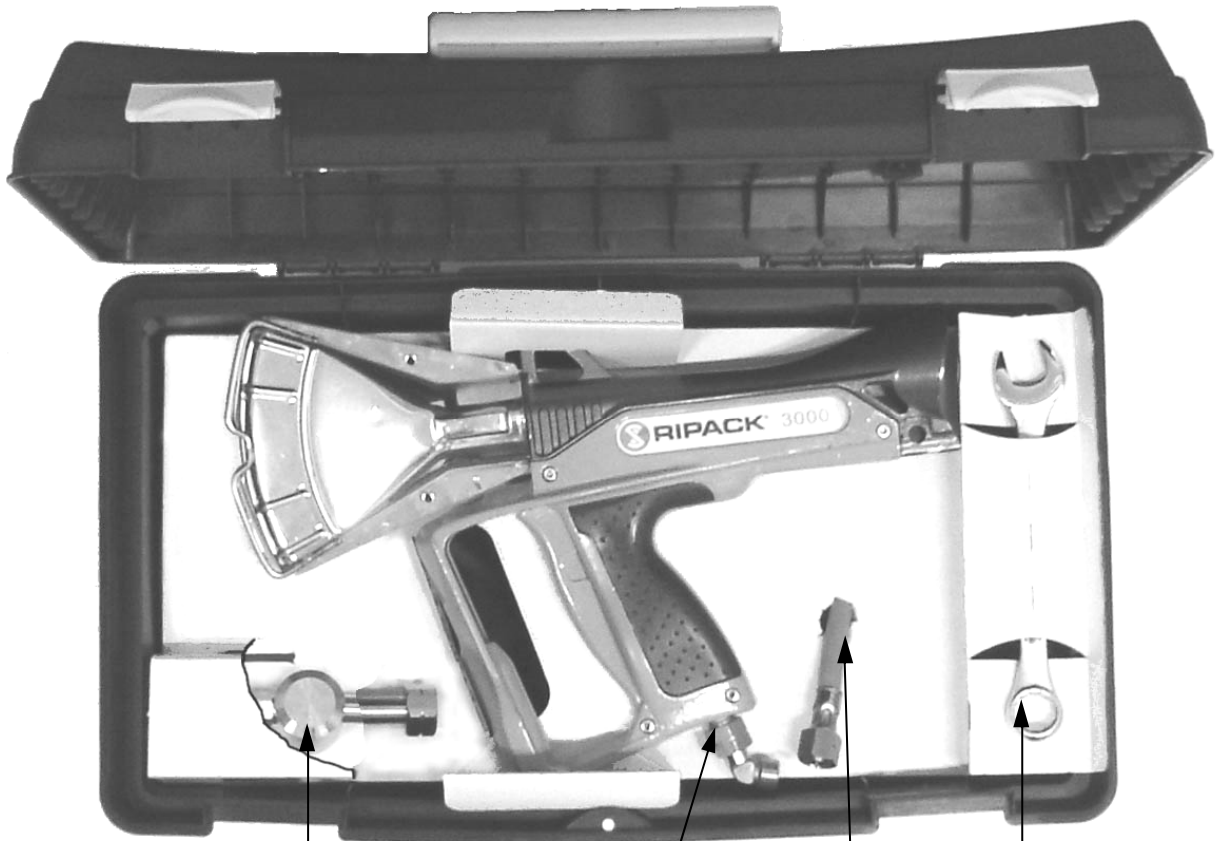
### CALPACK Pallet Raiser

Quick and easy to set up, the CALPACK allows the film to shrink under the pallet. The load is thus perfectly stabilised with the pallet. CALPACK can be used as well with a pallet-truck or a fork-lift.



# CARRYING CASE CONTENT

## RIPACK 3000-70

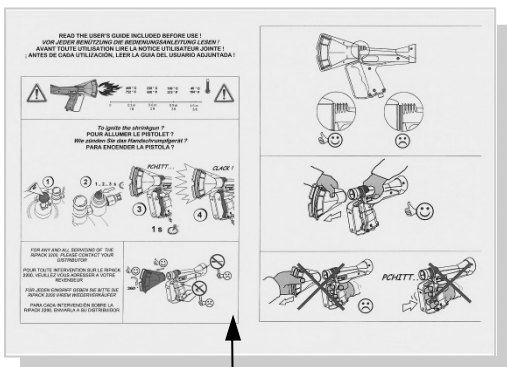


SECURIPACK  
Pressure  
regulator

Swivel  
connector

8 m gas  
hose

Wrench



Memo



Warranty  
card



User's  
Guide



## **SERIES 3000**

HAND-HELD PROPANE-FIRED SHRINK GUN FOR SHRINK-  
WRAPPING PLASTIC FILMS

USER'S GUIDE



## CONTENTS

<b>IMPORTANT NOTES</b>	<b>3</b>
<b>OPERATION</b>	<b>7</b>
<b>CONNECTIONS</b>	<b>8</b>
<b>SPARE PARTS</b>	<b>10</b>
<b>EXAMPLES OF USE</b>	<b>11</b>
<b>MAINTENANCE</b>	<b>14</b>
<b>WARRANTY</b>	<b>21</b>
<b>EXPLODED VIEW</b>	<b>22</b>
<b>SPARE PARTS LIST</b>	<b>24</b>



## IMPORTANT NOTES

**YOU MUST READ THESE INSTRUCTIONS BEFORE USING THE APPLIANCE.**

### SAFETY PRECAUTIONS

1. **Do not use this appliance in regulated zones where there is a specific risk of fire or explosion.**
2. **Limit a working zone that is large enough to ensure that the nozzle of the gun is always at a minimum distance of 1.5 m within this zone and indicate that access to this zone is forbidden for all other persons.**
3. **Always have a suitable fire extinguisher of an appropriate size within reach.**
4. **Wear gloves when using the appliance and never wear garments that are easily inflammable such as nylon or similar fabrics.**

This appliance is meant **exclusively** for professional use and for shrinking plastic films.

Users of the RIPACK SERIES 3000 shrink gun must read this user's guide completely and must be trained for the applications that require the use of this appliance.

When using the RIPACK SERIES 3000 shrink gun, basic safety precautions should always be followed:

**READ ALL INSTRUCTIONS.**

This appliance is meant **exclusively** for professional use.

- a. Before using, check all parts for proper function and damage to component parts.
- b. Do not use this torch to heat, mold or bend plastic sheets, moulding or tubing.
- c. Hidden areas such as behind walls, ceilings, floors, soffit boards and other panels may contain flammable materials that could be ignited by the heat gun when working in these locations. The ignition of these materials may not be readily apparent and could result in property damage and injury to persons.
- d. When working in these locations, keep the torch moving in a back-and-forth motion. Linger or pausing in one spot could ignite the panel or the material behind it."

- e. not use this torch to remove paint (if the torch can be used to remove paint, items (f) and (g) below shall be used).
- f. **WARNING:** Extreme care should be taken when stripping paint. The peelings, residue and vapors of paint may contain lead, which is poisonous. Any pre-1977 paint may contain lead and paint applied to homes prior to 1950 is likely to contain lead. Once deposited on surfaces, hand to mouth contact can result in the ingestion of lead. Exposure to even low levels of lead can cause irreversible brain and nervous system damage; young and unborn children are particularly vulnerable. Before beginning any paint removal process you should determine whether the paint you are removing contains lead. This can be done by your local health department or by a professional who uses a paint analyzer to check the lead content of the paint to be removed. **LEAD-BASED PAINT SHOULD ONLY BE REMOVED BY A PROFESSIONAL AND SHOULD NOT BE REMOVED USING A HEAT GUN.**
- g. Persons removing paint should follow these guidelines:
1. Move the work piece outdoors. If this is not possible, keep the work area well ventilated. Open the windows and put an exhaust fan in one of them. Be sure the fan is moving the air from inside to outside.
  2. Remove or cover any carpets, rugs, furniture, clothing, cooking utensils and air ducts.
  3. Place drop cloths in the work area to catch any paint chips or peelings. Wear protective clothing such as extra work shirts, overalls and hats.
  4. Work in one room at a time. Furnishings should be removed or placed in the center of the room and covered. Work areas should be sealed off from the rest of the dwelling by sealing doorways with drop cloths.
  5. Children, pregnant or potentially pregnant women and nursing mothers should not be present in the work area until the work is done and all clean up is complete.
  6. Wear a dust respirator mask or a dual filter (dust and fume) respirator mask which has been approved by the Occupational Safety and Health Administration (OSHA), the National Institute of Safety and Health (NIOSH), or the United States Bureau of Mines. These masks and replaceable filters are readily available at major hardware stores. Be sure the mask fits. Beards and facial hair may keep masks from sealing properly. Change filters often. **DISPOSABLE PAPER MASKS ARE NOT ADEQUATE.**
  7. Use caution when operating the heat gun. Keep the heat gun moving, as excessive heat will generate fumes, which can be inhaled by the operator.
  8. Keep food and drink out of the work area. Wash hands, arms and face and rinse mouth before eating or drinking. Do not smoke or chew gum or tobacco in the work area.

9. Clean up all removed paint and dust by wet mopping the floors. Use a wet cloth to clean all walls, sills and any other surface where paint or dust is clinging. **DO NOT SWEEP, DRY DUST OR VACUUM.** Use a high phosphate detergent or trisodium phosphate (TSP) to wash and mop areas.
  10. At the end of each work session put the paint chips and debris in a double plastic bag, close it with tape or twist ties and dispose of properly.
  11. Remove protective clothing and work shoes in the work area to avoid carrying dust into the rest of the dwelling. Wash work clothes separately. Wipe shoes off with a wet rag that is then washed with the work clothes. Wash hair and body thoroughly with soap and water.
- h. Close the valve of the gas bottle when not in use for long periods of time.
  - i. Press the trigger to empty the gas hose and release the pressure.
  - j. Never heat a specific area continuously.
  - k. Keep the working zone clean and remove all waste (wood, paper, other inflammable materials).
  - l. For all work inside professional workshops, the gas bottle must be placed on a mobile trolley that can be maneuvered easily.
- m. **SAVE THESE INSTRUCTIONS.**

This user's guide must be kept for future reference.

Do not use this appliance for shrinking plastic film on materials, substances, products or liquids that inflame spontaneously, either processed in bulk or packed, and do not use the appliance in the storage areas of these products or in spaces where it is explicitly forbidden to smoke for safety reasons.

Do not use this appliance for shrinking plastic film on a floor that is made of combustible material (wood, plastic, etc.).

Close the valve of the gas bottle when not in use for long periods of time.

Press the trigger to empty the gas hose and release the pressure.

Never heat a specific area continuously.

Keep the working zone clean and remove all waste (wood, paper, other inflammable materials).

For all work inside professional workshops, the gas bottle must be placed on a mobile trolley that can be maneuvered easily.

This appliance, like all other gas appliances, consumes air and produces combustion fumes that contain CO<sub>2</sub> and CO. Exposure to high concentrations of the latter gas is lethal. Make sure there is sufficient ventilation in accordance with the amount of time the appliance is used (see "Technical Characteristics").

We recommend that the appliance be used in a room without specific pollution which has a minimum volume of 16 m<sup>3</sup> (fresh air flow: 48m<sup>3</sup>/h).

Never work in a basement.

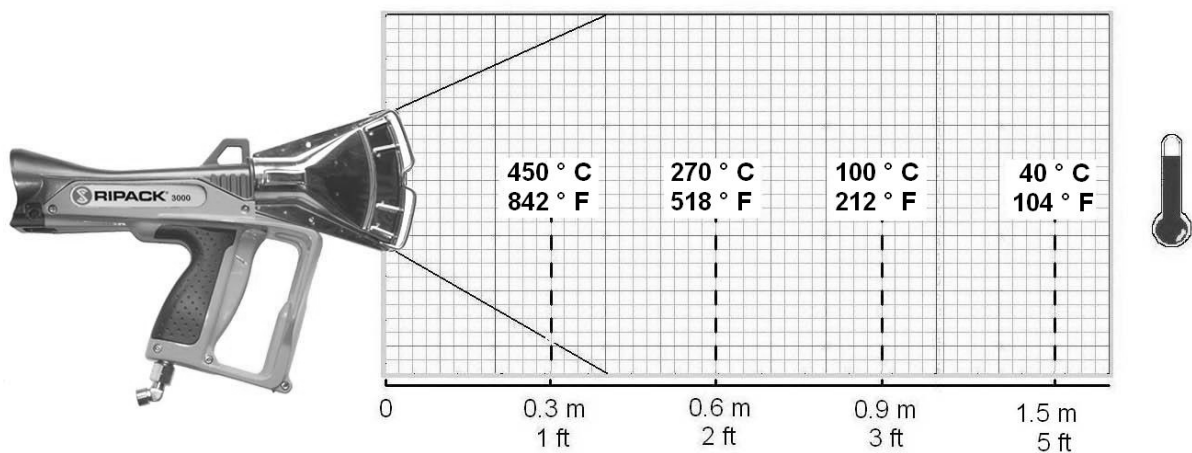
Before using the appliance, make sure that you are conforming to the guidelines for using liquid gas.

In operation, this appliance produces a flame. Do not point the flame towards yourself, other persons or animals, towards the gas bottle or the hose, or towards inflammable materials.



In operation, the appliance creates a **danger zone up to 1.5 meters (5 ')** in front of the fire nozzle.

We draw the attention of operators to the fact that within the danger zone, there is a possible risk of burning for persons and animals, and goods can be damaged or catch fire.



This appliance, which is designed for applying plastic films by heating, can also be used for other purposes where the products can withstand the heat produced by a naked flame. Such use is explicitly the responsibility of the user. The manufacturer's guidelines of the product that is being handled must be followed at all times. In addition, the national, federal and local regulations with regard to the operation of appliances with a naked flame must also be respected.

To operate the appliance safely, you must follow the warnings mentioned above as well as the guidelines provided by the manufacturer of the materials being handled. The safety distance, the duration of exposure and the adjustment of the appliance for the different materials being handled, depend on the instructions provided by the manufacturer of the materials in question.

The RIPACK SERIES 3000 propane works with propane according to the principle of atmospheric air burners induced at high speed (diagram B). Ignition is performed using a piezoelectric lighter that is activated simultaneously with the release of gas activated by the trigger, which is the sole operating mechanism.

The RIPACK SERIES 3000 is a gun incorporating several **safety mechanisms**:

- **A security valve system cuts off the gas supply in the event that the hose breaks or tears.**
- **An automatic safety device (so-called dead man's switch) cuts the supply of gas automatically if the trigger is released. This stops the heating immediately. This dead man's device must never be blocked in the open position in any way.**
- **A guard in front of the trigger prevents untimely operation**

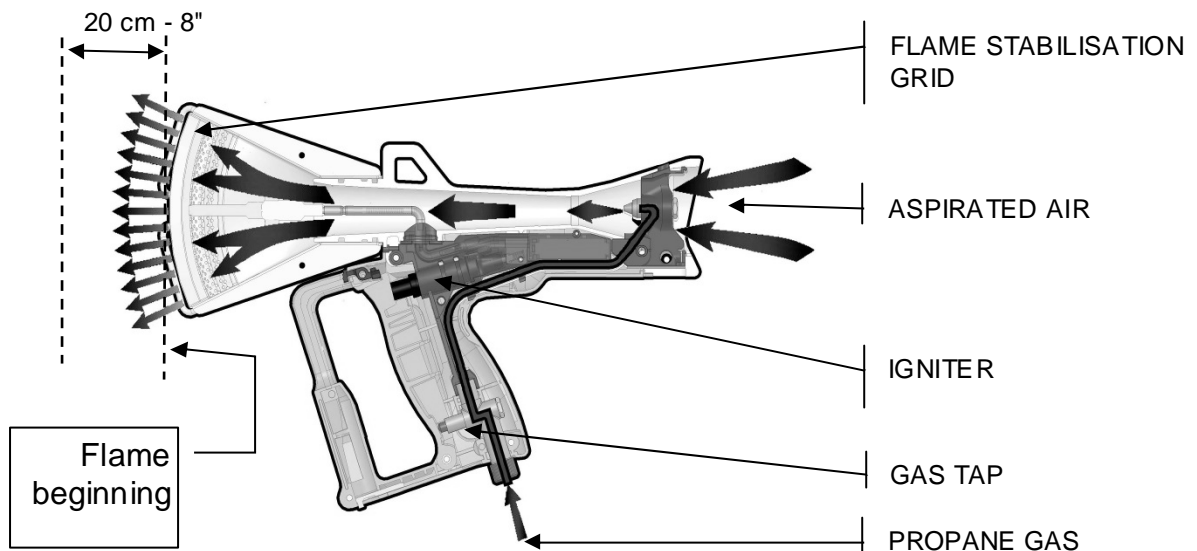
Always contact your RIPACK distributor for all maintenance work and spare parts.

## PROPANE GAS APPLIANCE

### TECHNICAL CHARACTERISTICS:

	SI System		
Pressure (bar)	1,5	to	3,5
Power (kW)	45	to	76
Consumption (kg/h)	2,9	to	5,2
Air intake (m3/h)	39	to	70
CO emission vol %	0.0052	to	0.0021
CO2 emission vol %	2,81	to	4
Noise level	<85 dbA		
Length	37,5 cm		
Weight	1220 g		
Energy source	Propane gas		
Other Energy source	natural gas with conversion kit		
	Anglo-Saxon System		
Pressure (PSI)	21	to	50
Power (btu/h)	153000	to	259323
Consumption (lbs./h)	6.6	to	11.7
Air intake	1340 cu.ft/h	to	2400 cu.ft/h
CO emission vol %	0,0052	to	0,0021
CO2 emission vol %	2,81	to	4
Noise level	<85 dbA		
Length	15 inches		
Weight	2.7 lbs.		
Energy source	Propane gas		
Other Energy source	natural gas with conversion kit		

- A -





- B -

## OPERATION

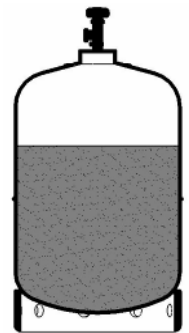
Before operating the appliance you must read all the warnings mentioned above and make sure that using the appliance is not forbidden by the manufacturer of the materials that you are going to handle.

With this appliance you must use the ORIGINAL hose and SECURIPACK that were supplied.

FORBIDDEN WITH ALL USES	
	
<b>LIQUID PROPANE GAS</b> (e.g. Fuel for forklift truck)	<b>BOTTLE ON ITS SIDE</b>

- ☺ The RIPACK SERIES 3000 works with **PROPANE gas in gas phase**, contained in bottles of different capacities.

Use the largest possible bottles available.



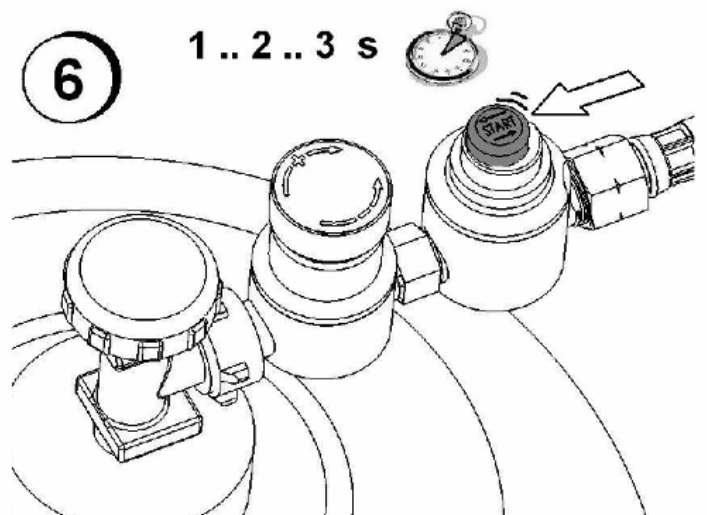
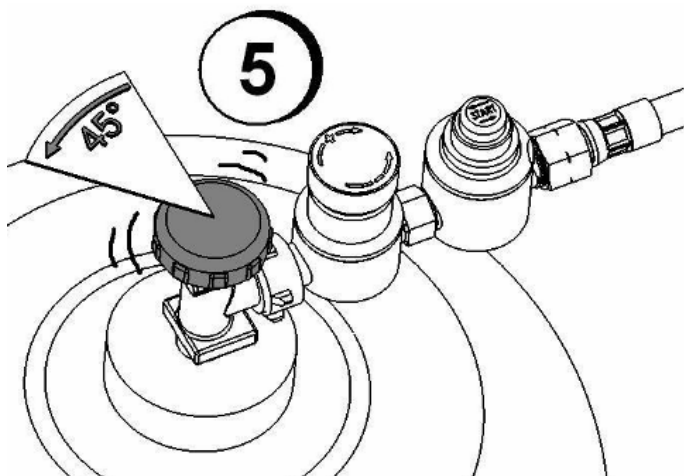
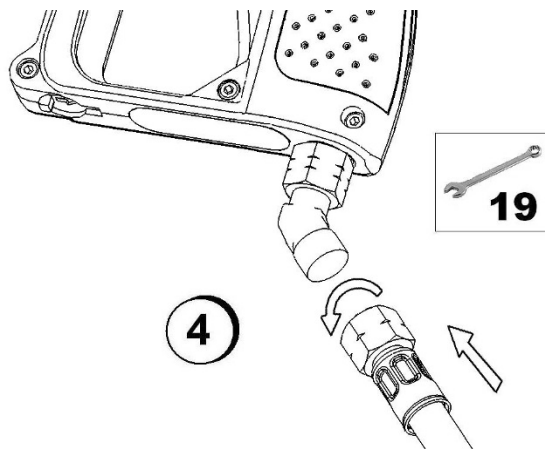
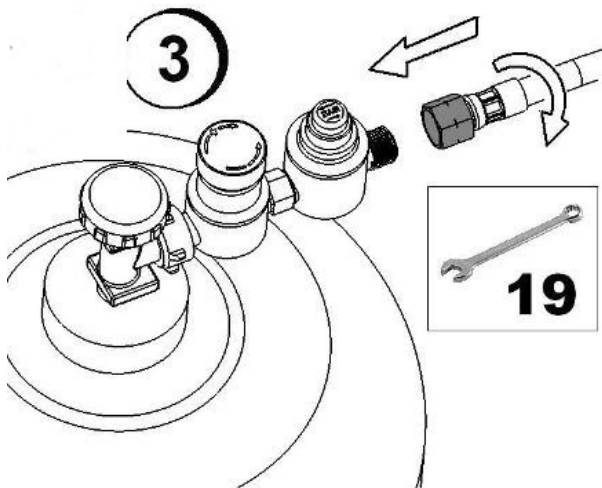
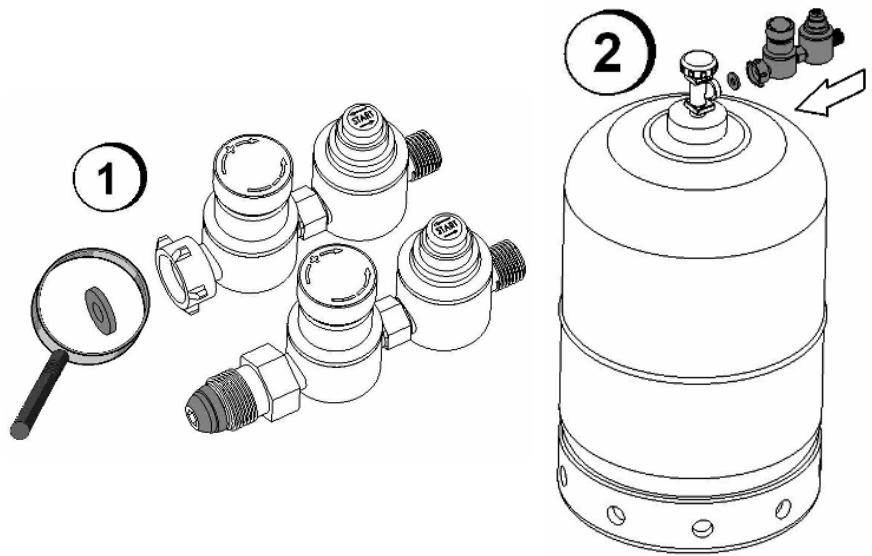
Always connect and disconnect the bottles a long way from any flames and ignition points.

For all work inside professional workshops, the bottle must be placed on a mobile trolley that can be maneuvered easily.

## CONNECTIONS

Before connecting the SECURIPACK to the gas bottle, make sure the sealing gasket is positioned correctly for systems using this type of joint.

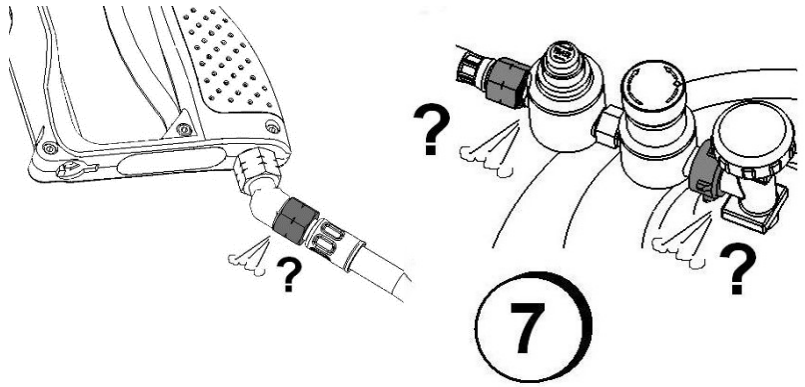
In other cases, make sure the fitting is clean.



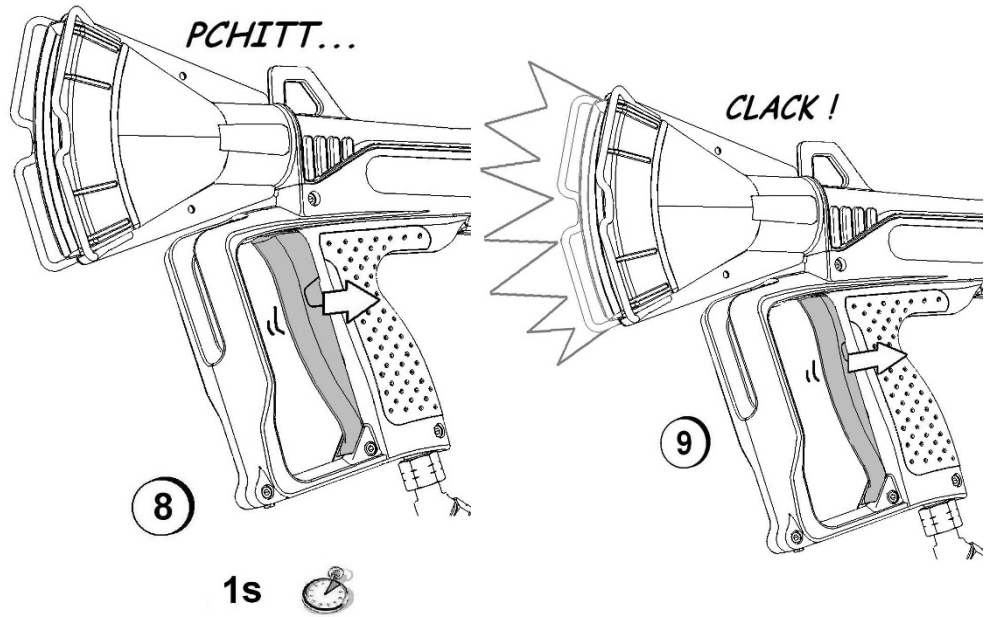


**TIGHTNESS:**

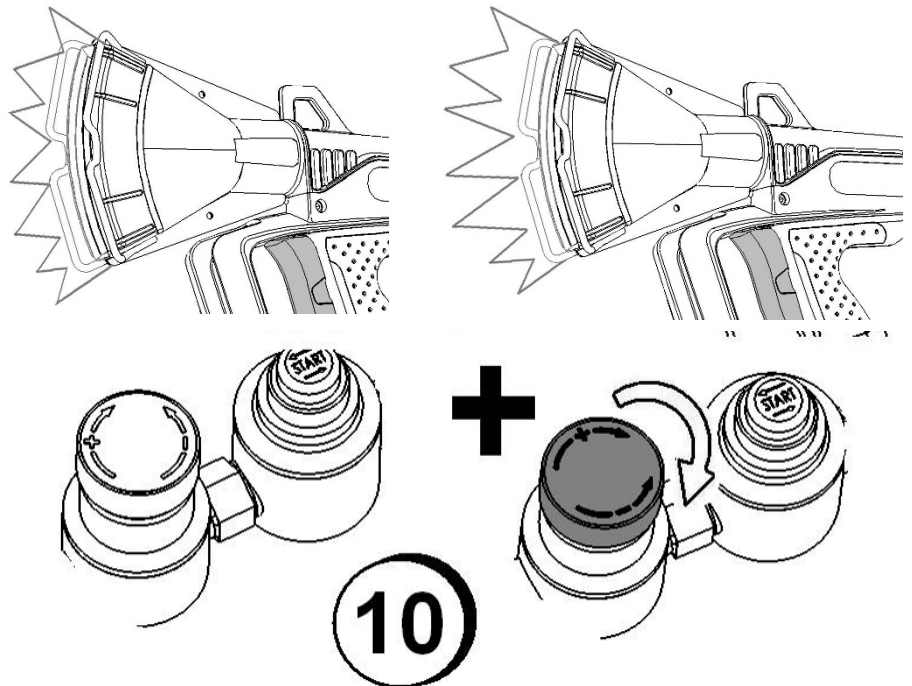
Use a bubble spray or some soapy water to check that there are no leaks in the parts that have been screwed together (bottle, hose and gun connections)



**IGNITING THE  
RIPACK  
SERIES 3000**



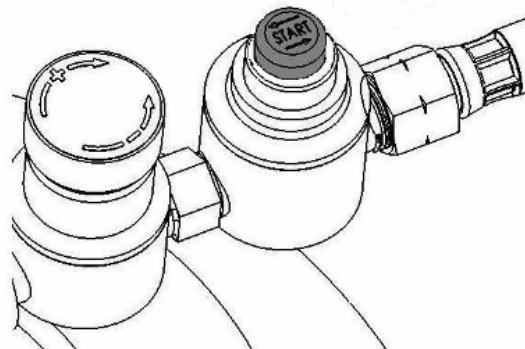
**POWER  
KNOB**



The SECURIPACK automatically cuts off the supply of gas if the pressure drops below the minimum level necessary for the normal efficiency of the work.

This is the case when:

- The bottle is nearly empty (the gun can only be used for a few more minutes at reduced power: change the bottle);
- The temperature of the bottle has dropped after intensive use (icing): if this is the case, change the bottle temporarily or wait until the normal pressure returns, especially if you are working outside (0°C / 30°F and colder).



**NEVER HEAT A GAS BOTTLE WITH A FLAME.**

**WHEN YOU HAVE FINISHED WORKING, ALWAYS CLOSE THE GAS BOTTLE VALVE AND EMPTY THE HOSE BY PRESSING THE TRIGGER.**

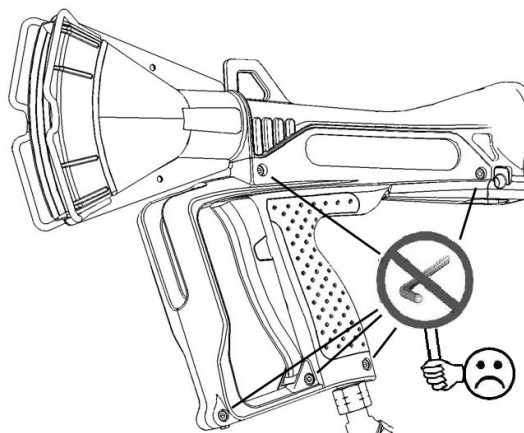


## SPARE PARTS

**THE COMPANY RIPACK SHALL NOT BE HELD LIABLE IN THE EVENT THAT THE GUN IS DISMANTLED.**

**Contact your dealer if the RIPACK SERIES 3000 needs to be dismantled.**

Only the procedures described in the maintenance chapter are authorized.



## EXAMPLES OF USE

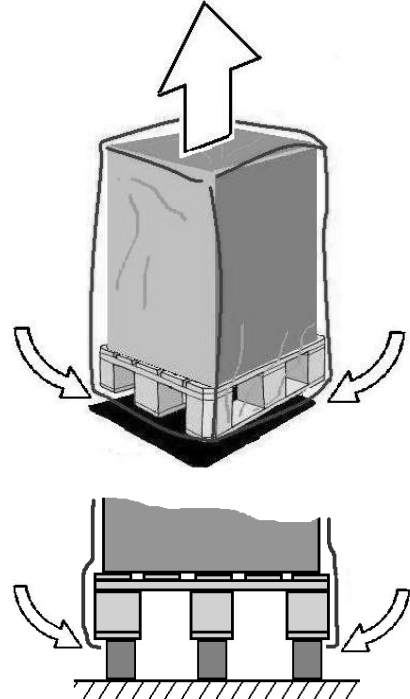
### *Shrink-wrapping a loaded pallet*

Ask your film supplier for the operating instructions.

The pallet must be lifted so that the four corners are accessible: the purpose of this is to allow the film to be shrunk under the pallet and so ensure very strong cohesion between the pallet and the load it supports. You will find an accessory in the RIPACK product range that is designed specially to keep pallets lifted from the ground: the CALPACK (contact your dealer).

Slide the shrink cover, which must be about 5% wider than your pallet and sufficiently long to be able to be shrunk under the pallet (H plus 200 mm).

Ignite your RIPACK SERIES 3000 as explained in the chapter "Operation".

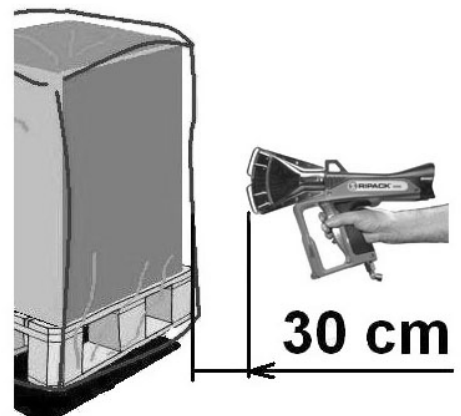


### SHRINK-WRAPPING RECOMMENDATIONS

(in the absence of instructions provided by the film manufacturer) :

Remain at a distance of at least about 30 centimeters from the film and start shrink-wrapping the lower part of the four sides so the pallet is shrink-wrapped underneath. Make sure you point the air flow perpendicularly along the sides of the pallet.

Apply the heat in a continuous movement and at a constant speed.



**NEVER STAY ON THE SAME SPOT**

The various films react differently, so you must observe the reaction and adapt your speed and movement and/or the distance between the nozzle and the film accordingly.

You can also adjust the power of the RIPACK SERIES 3000 with the adjustable SECURIPACK controls.

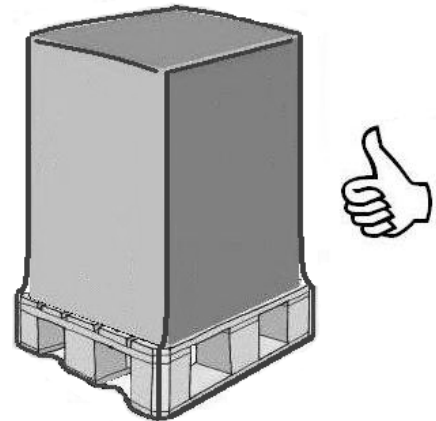
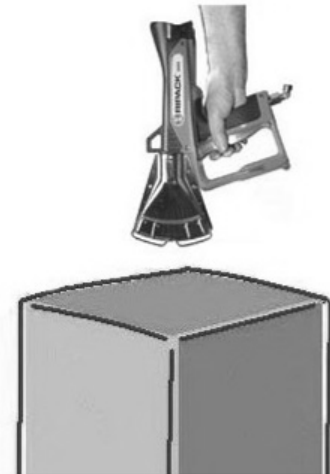
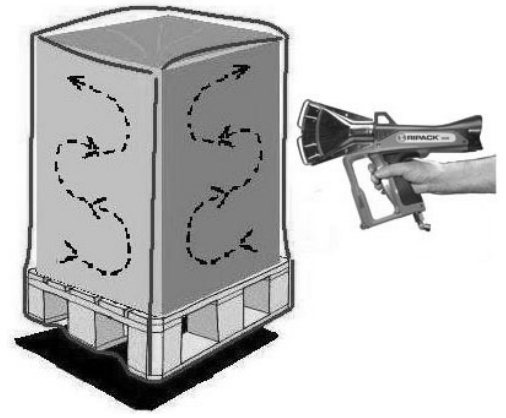
Once the lower part of the pallet has been shrink-wrapped, continue the operation for each side and move from top to bottom to cover the entire height.

Once the 4 sides have been shrink-wrapped, you can do the top by applying the hot air to the top of the pallet.

Caution: The film is already stretched along the sides so you should apply less heat on the top in order to prevent the cover from being damaged.

When you have stopped applying heat with the gun, the plastic film, because of its make-up, will continue to shrink for some time. This time will vary depending on the quality, the thickness and the type of load that has been wrapped. It is recommended therefore that you wait until the cover has cooled off and everything is tight before moving the pallet.

After cooling and before storage, always check that the cover and the wrapped goods are in good condition.



## CHECK CAREFULLY FOR AT LEAST 2 HOURS AFTER SHRINK-WRAPPING.

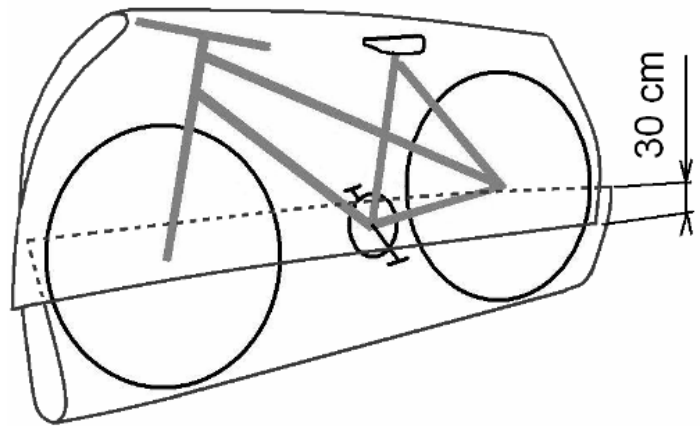
**N.B.:** The RIPACK® SERIES 3000 carrying case also acts as a foot stool and enables the operator to stand at a height of 27 cm from the ground to ease work on tall pallets.



## Packaging

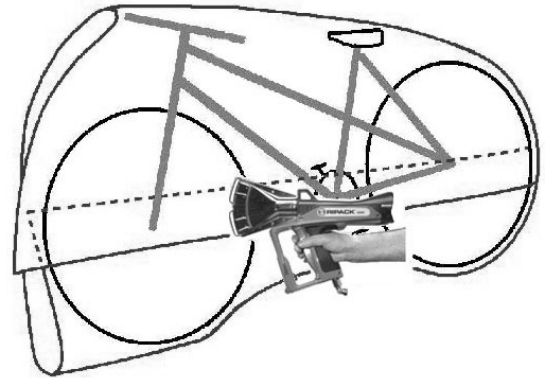
All kinds of objects with irregular shapes can also be packaged using shrink-wrap film.

To obtain a good film joint, you need to provide a minimum overlap of 30 cm.



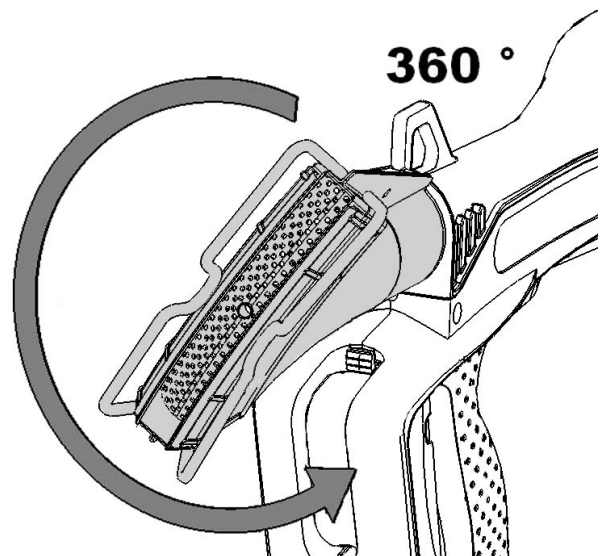
Start by heating the film in a continuous movement and then put pressure on this part to connect the two parts together.

Once the joint has been made, continue the shrink-wrapping by holding the appliance at least 30 cm from the film. When doing this, be sure to follow the recommendations for shrink-wrapping.



**NOTE:** The combustion nozzle can rotate freely and this will make your work easier.

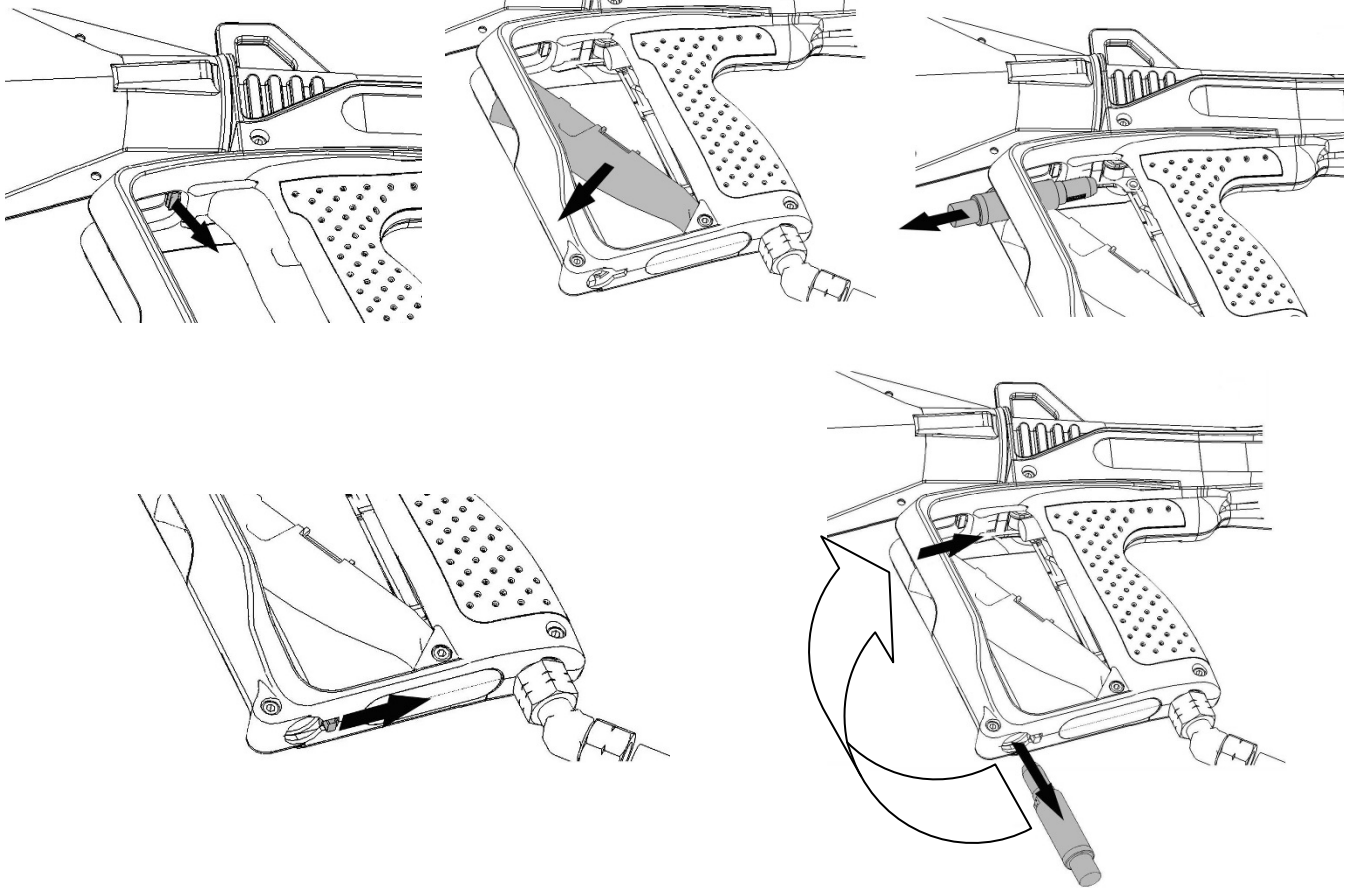
Put the nozzle in the required position.



## MAINTENANCE

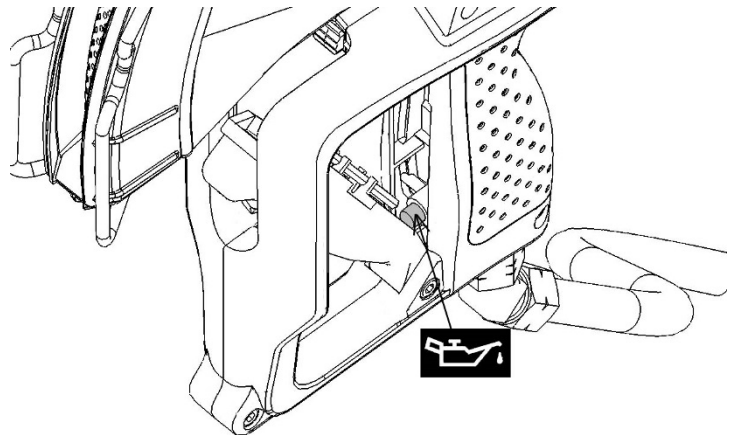
### ***Changing the piezo igniter:***

**THE COMPANY RIPACK SHALL NOT BE HELD LIABLE IN THE EVENT THAT THE GUN IS DISMANTLED.**



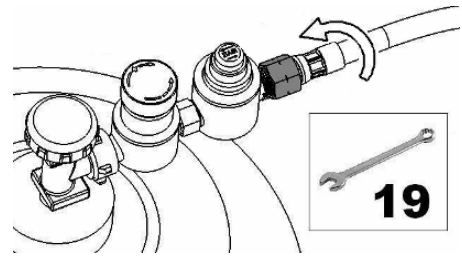
### ***Lubricating the gas tap:***

It is advised that you lubricate the gas tap piston when used in a dusty environment. The piston can be accessed by tilting the gun's trigger (see image opposite).



### **Checking the SECURIPACK :**

The correct functioning of the safety mechanism must be checked for hose rupture (incorporated in the SECURIPACK) at least every 500 hours or every three months. This is to be performed as follows:



1. Go outside, a long way from any flame source, sparks and any objects that ignite.
2. Apply pressure to the appliance. With the spanner supplied, loosen the connecting nut of the hose and unscrew completely: the gas supply will now be cut off automatically.

### **Checking the RIPACK SERIES 3000 :**

DAILY before starting to work:

1. Check the condition of the hose along its whole length and at the fittings.

We recommend that you replace the hose in the following cases:

- When a visual inspection has revealed damage (cuts), even if the damage is superficial.
- Every 3 years if used intensively.
- At the latest 5 years after first use.
- Note: The date on the hose is the manufacture date.

**Only use a replacement hose supplied by RIPACK with its original fittings!**

2. Check as follows that the dead man's safety mechanism works correctly:

When you are not working, follow the procedure described in steps 8 and 9 of the chapter "Operation/igniting the RIPACK SERIES 3000" and release the trigger immediately. The combustion nozzle must extinguish immediately. Otherwise, lubricate the gas valve:

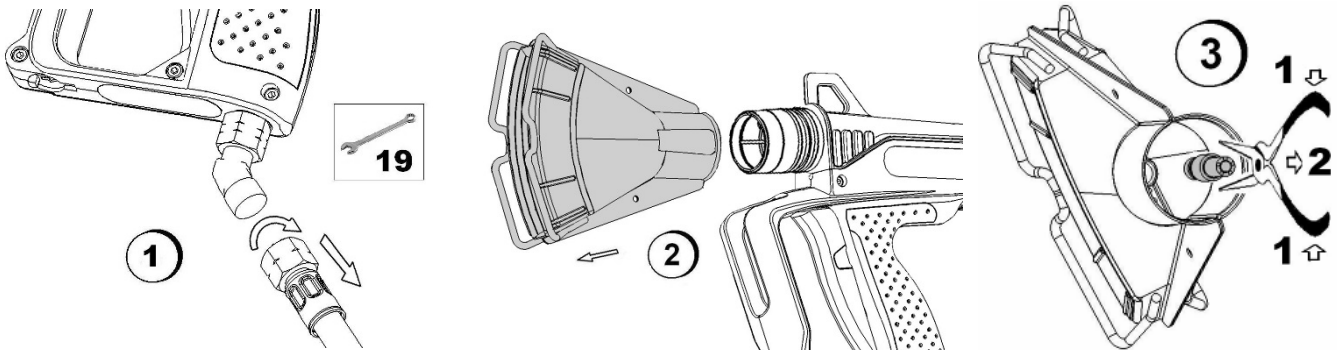
If any of the parts you checked show flaws, please contact your RIPACK dealer.

## Cleaning:

Frequency :

- Non-polluted environment: Every 500 hours.
- Polluted environment: As soon as it is noticed that there is a reduction in power.

### CLEANING THE NOZZLE GRILLE:

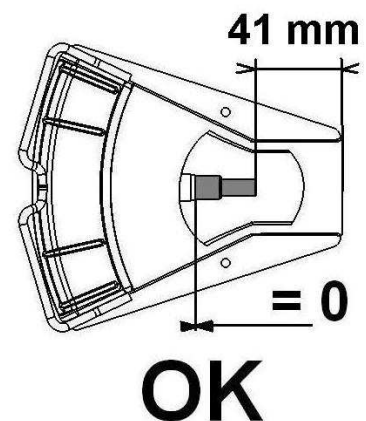


- Place the nozzle for a few minutes in a dry petrol bath (e.g. F petrol) to make sure the various tightness systems are not damaged. Grease products (e.g. oil) are not recommended because they attract impurities afterwards.

**NEVER USE ANY OTHER DEGREASING PRODUCTS FOR CLEANING.**

- Clean the inside and the outside of the nozzle grille with a paintbrush or a hard brush.
- Clean the receiving tube of the spark plug.
- Rinse it again and apply compressed air (block the hole on the grille side intermittently for intensive blowing of the inside of the receiving tube).

- Put the spark plug back into position and check that it is pressed far enough. (clip up to the end). Incorrect positioning may cause the electric contact of the spark plug to deteriorate.

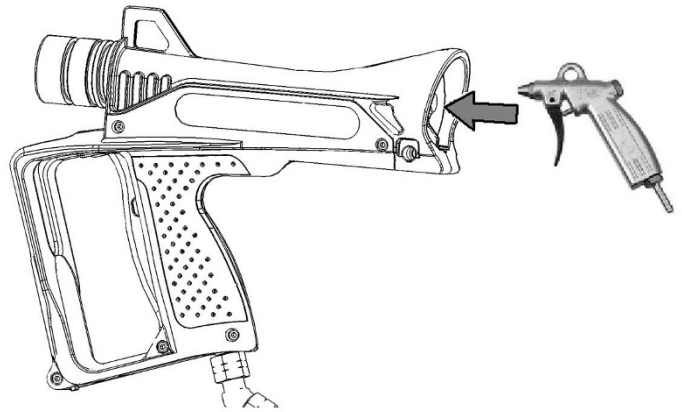




### CLEANING THE VENTURI :

The venturi must be cleaned in dry condition.

- Clean the venturi with a paintbrush or a hard brush.
- Apply compressed air in the direction of the jet/nozzle to avoid polluting the jet.
- Test the operation by performing the procedures in the chapter "Operation". If the gun has not regained its full power, clean the jet.

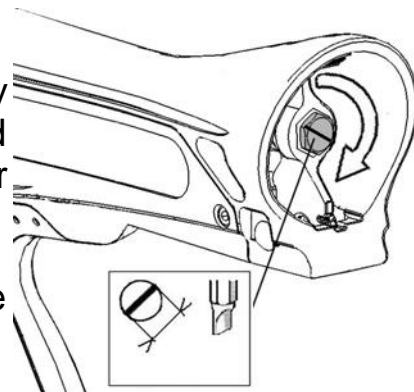
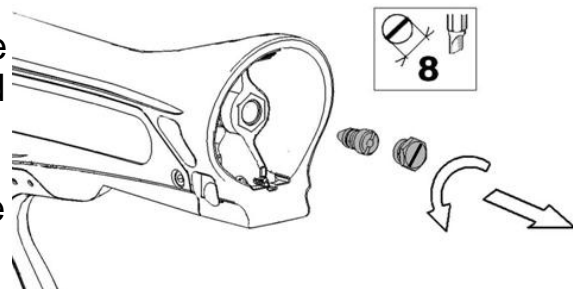


### CLEANING THE JET :

Remove the jet cover with a screwdriver.

With an appropriate screwdriver, release the jet, put it down, rinse it with petrol and blow out.

- Reassemble the jet after you have dried the O-ring on top.
- Fasten the injector without forcing it.
- Carefully reassemble the jet cover by screwing it all the way without forcing it and make sure the cover is flat on the injector support.
- Test the operation by performing the procedures in the chapter "Operation".

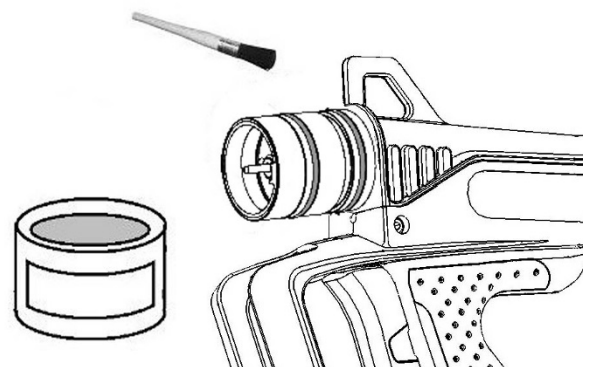


**FOR ALL OTHER INTERVENTIONS  
RELATED TO THE GAS CIRCUIT,  
PLEASE CONTACT YOUR RIPACK  
DEALER.**

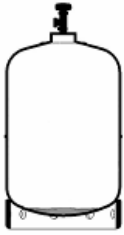
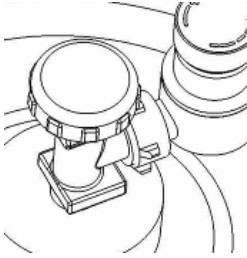
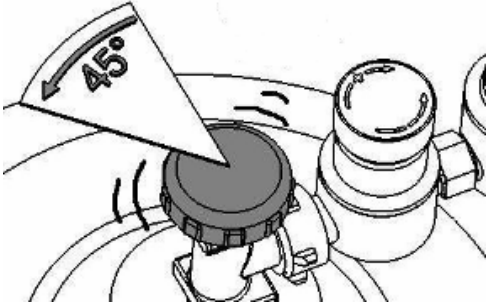
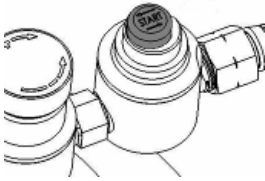
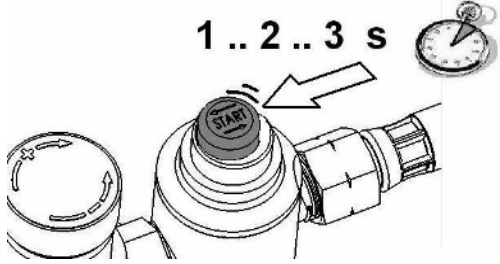
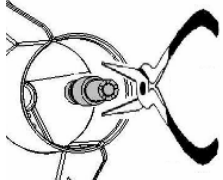
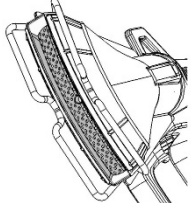
### MAINTENANCE OF THE FITTINGS:

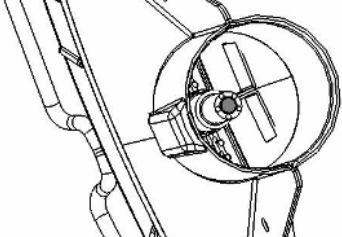
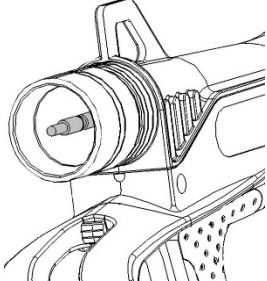
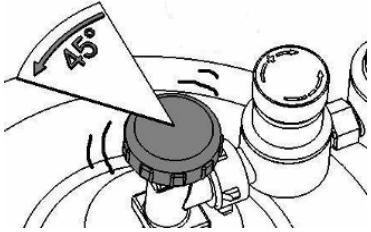
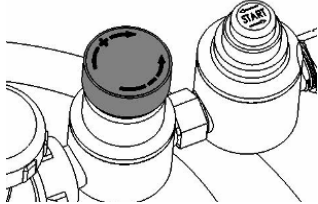
Lubricate the fittings with "molykote 1102 gas cock grease" or equivalent" (code article RIPACK : 137039).

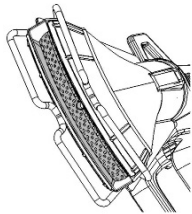
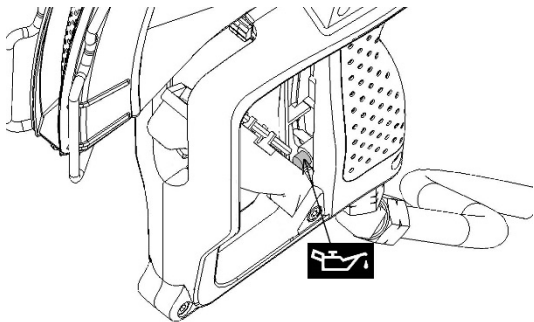
Note: Sealing product NBR.



## Obtaining the best results with your RIPACK 3000-70:

PROBLEM	CAUSE	REMEDIES
The combustion nozzle doesn't / is difficult to ignite.	Empty bottle 	✓ Check that there is gas in the bottle (if necessary, change the bottle)..
	Bottle valve is closed. 	
	Pressure reducing valve not set up. 	
	Piezo igniter worn out	✓ Change the piezo
	The gun valve filter is blocked.	✓ Have your appliance checked by your RIPACK dealer.
	Electrode burnt or broken	✓ Change the spark plug (see "Cleaning"). 
	Combustion nozzle is dirty	✓ Clean the nozzle grille (see "Cleaning"). 

PROBLEM	CAUSE	REMEDIES
<p>The combustion nozzle doesn't / is difficult to ignite.</p>	<p>Jet blocked.</p>	<p>✓ Unblock the injector. (See "Cleaning").</p>
	<p>Bad contact or bad insulation.</p>	<p>✓ Check the contact at the spark plug end.</p>  <p>✓ Check the contact in the sleeve.</p> 
<p>The combustion nozzle has insufficient power.</p>	<p>The gas bottle valve is open too far.</p>	
	<p>The pressure control of the SECURIPACK is not in its maximum opening position.</p>	

PROBLEMS	CAUSE	REMEDIES
<p>The combustion nozzle has insufficient power</p>	<p>The gas you are using is not propane.</p>	<p>✓ Use propane gas.</p>
	<p>The bottle capacity is too low.</p>	<p>✓ Use a bottle with a larger capacity.</p>
	<p>The ambient temperature is low and the appliance is being used intensively.</p>	<p>✓ Alternate between several bottles.</p>
	<p>The injector is blocked.</p>	<p>✓ Clean the jet (see "Cleaning").</p>
	<p>The rubber hose is twisted</p>	<p>✓ Put it back in its initial position.</p>
<ul style="list-style-type: none"> <li>• Flame is lower.</li> <li>• Internal combustion.</li> <li>• Combustion nozzle gets hot.</li> </ul>	<p>The nozzle grille is blocked by particles suspended in the air (working in polluted environment).</p>	<p>✓ Clean the grille and the venturi of the RIPACK 3000-70 (see "Cleaning").</p> 
<p>The combustion nozzle does not go out immediately.</p>	<p>The trigger valve is jammed or blocked.</p>	<p>✓ Open the trigger and lubricate the piston. If the nozzle does not extinguish despite lubrication, take your appliance to your RIPACK dealer for inspection .</p> 

## GUARANTEE

Your RIPACK SERIES 3000 appliance has been manufactured with the greatest care using quality materials. Numerous tests and inspections were carried out during production.

Every component meets the requirements of strict specifications in order to guarantee performance and adaptability.

For all maintenance work and spare parts, your RIPACK dealer ensures the supply of spare parts in accordance with the RIPACK requirements, guarantee of quality and of safety.

### RIPACK WARRANTY:

WARRANTY OF OPERATION for one year under the following conditions:

- that the appliance has been used in compliance with the user's guide;
- that the appliance has not been disassembled except for the procedures described in the user's guide;
- that the appliance is physically intact (for example: the body of the appliance, the protective guard and the combustion nozzle grille must not be deformed in any way, and, for example, the thread of the fittings must be intact...).

This warranty does not apply to the following replacement parts:

- Piezo igniter,
- Hose.

ALUMINUM BODY WARRANTY: 5 years (according to the aforementioned performance warranty conditions) ).

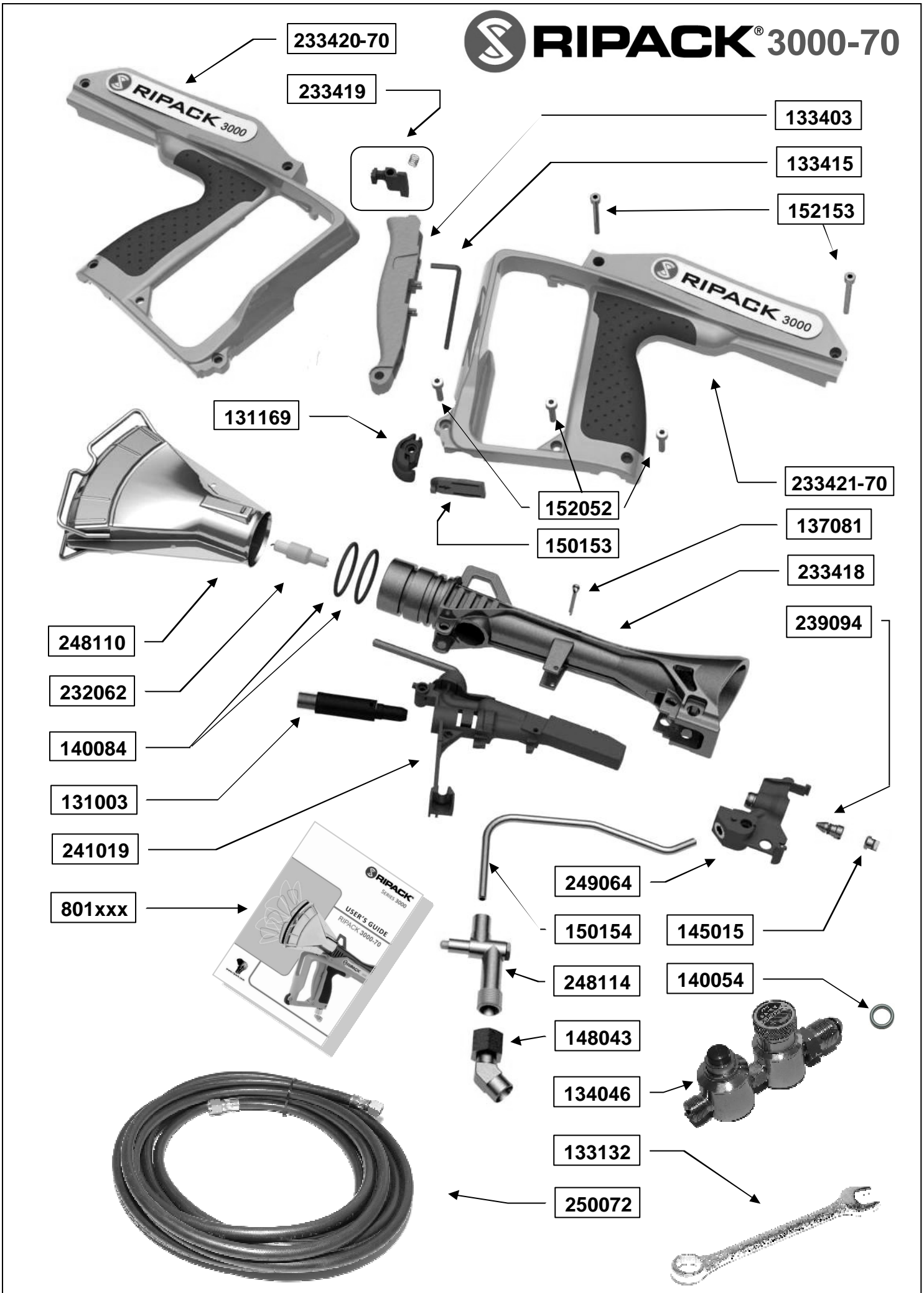
All replacement parts must be original RIPACK spare parts. The manufacturer shall not be held responsible and shall not be liable for any claims in the event that the aforementioned warnings and instructions are not respected.

The company RIPACK shall not be held responsible for accidents involving persons or goods which arise from the incorrect use of the appliance or from using it for an application which is not specifically mentioned in the user's guide. All disputes shall be governed by the courts of Bordeaux - France. No other place of jurisdiction shall be accepted.

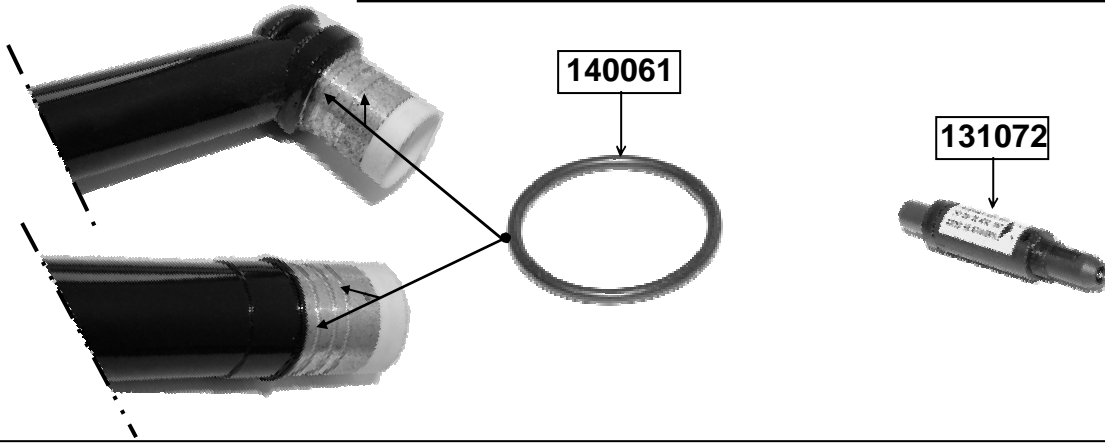
The use and the resale of the RIPACK SERIES 3000 implies the acceptance of the aforementioned terms and conditions.

IN THE EVENT OF A WARRANTY CLAIM, PLEASE ATTACH A COPY OF YOUR SUPPLIER'S INVOICE.

# RIPACK® 3000-70



FOR EXTENSIONS ON RIPACK SERIES 3000



Art. Code	Description
131003	Piezo igniter for standard RIPACK 3000 , without extension
131072	Piezo igniter for RIPACK 3000 <b>with</b> extension
131169	Bumper
133132	Wrench 19
133403	Trigger
133415	Allen key
134046	SECURIPACK- including adjustable pressure regulator and double safety, UL standard
137039	MOLYKOTE grease
137081	Ground pin
140061	O-ring inside Ø 28.24 x 2.62 UL for extensions
140084	O-ring inside Ø 34,82 x 3,53
145015	Jet cover nut RIPACK <b>SERIES</b> 3000
148043	Swivel connector
150153	Piezo Trap
150154	Aluminium gas feed tube
152052	Screw M4x16
152153	Screw M4x35
232062	Spark plug
233418	Body with O-rings
233419	Pawl + Spring
233420-70	Half-handle, right + RIPACK 3000-70 label
233421-70	Half-handle, left + RIPACK 3000-70 label
239094	Standard jet - propane
241019	Electrical Connection Kit / standard RIPACK <b>SERIES</b> 3000
241020	Electrical Connection Kit / RIPACK <b>SERIES</b> 3000 with Extension
248110	Combustion nozzle
248114	Gas tap, UL
249064	Jet bearer complete (includes : bearer, jet, jet cover nut)
250072	High pressure hose, UL, Length 7.5 meters, with clamps and fittings
801xxx	User's manual RIPACK 3000-70





