

TMS300

SEMI-AUTO STRAPPING MACHINE



A reliable and ruggedly built semi-auto strapping machine with a fully enclosed cabinet that protects the operator and reduces airborne contamination of the mechanism and strapping reel.



TMS300

SEMI-AUTO STRAPPING MACHINE

Features include:

- > Simple use and maintenance
- > Safety interlocked stainless steel top plate
- > Enclosed cabinet
- > Fixed/swivel castors
- > Manual strap tension adjustment
- > Reliable, energy-efficient operation
- > Compatible with 200mm/280mm core strapping

PP Suitable for use with polypropylene strapping

15-45Kg Strapping tension range

3 secs Strapping speed/cycle rate

240V 50Hz Power requirements

Heat weld seal - no need for metal seals

Suitable for engineering industry applications

Suitable for carton strapping applications

100Kg Total machine weight



The TMS300 employs a reliable mechanical sealing head



Simple to use electronic control panel



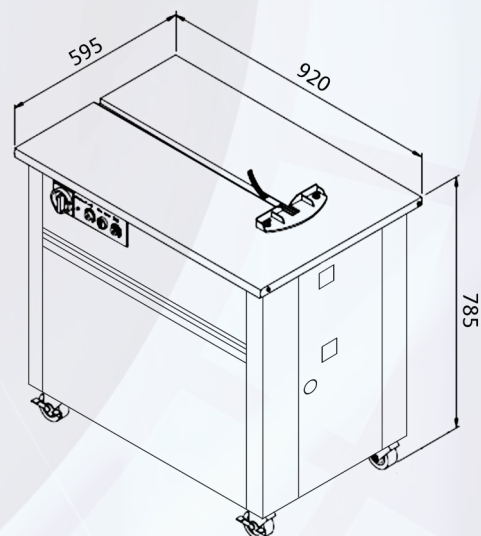
Manual strap tension control

Specifications

Machine Weight:	100 kg
Machine Dims w x d x h (mm):	920 x 595 x 785
Max Package Weight:	120 kg
Strap Widths (mm):	9-16
Min/Max PP Thickness:	0.5mm - 0.75mm
Min/Max Tension:	15-45 kg (Strap Dependent)
Speed/Cycle:	3 secs (@50Hz if applicable)
Power Requirement:	240v 50Hz
Power Consumption:	250w

Options

- > Safety switch under table top
- > Adjustable cooling time (0-2 sec.)



For more information on the complete range of Optimax® packaging products, please contact your authorised Optimax® distributor or visit:

www.optimaxproducts.com

©Copyright Optimax 2015
We reserve the right to change product specifications without prior notice
Re-order Code: LIT-PS006